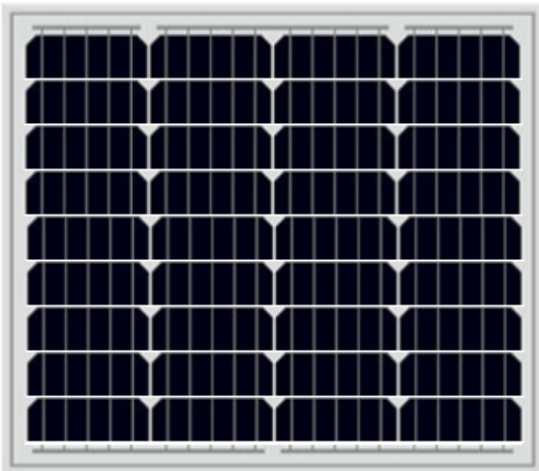


Nelson 36M 50 Watt MONO-CRYSTALLINE MODULE

Positive power tolerance of 0~+5W

ISO9001:2008, ISO14001:2004
certified factory.
IEC61215, IEC61730 certified products.

(5BB)



KEY FEATURES



High Power Output:

With up to **50Wp** and **16.40%** efficiency, highest performing module of its kind on the market.



Low-light Performance:

Excellent performance in low-light environments.



Severe Weather Resilience:

Extremely weather resistant due to approval for increased snow and wind loads: **5400 Pa** snow load, **2400 Pa** wind load.



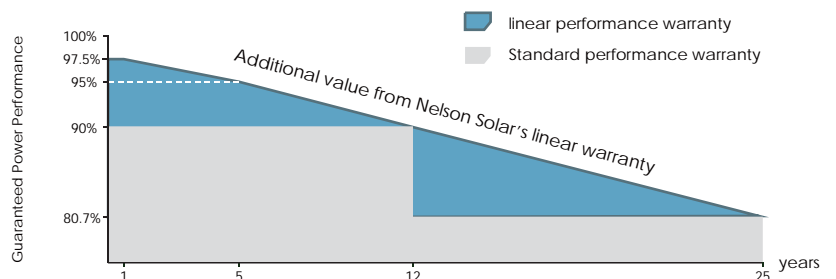
5 Busbar Solar Cell:

No power loss thanks to improved temperature co-efficient caused by 5 busbar solar cell.

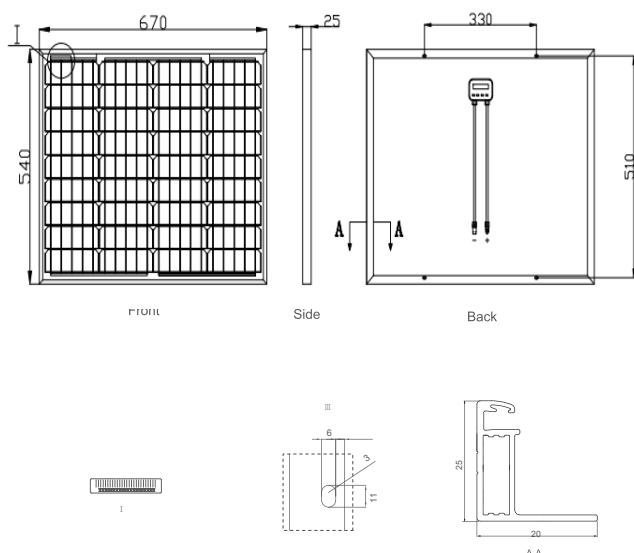


LINEAR PERFORMANCE WARRANTY

10 Year Product Warranty • 25 Year Linear Power Warranty



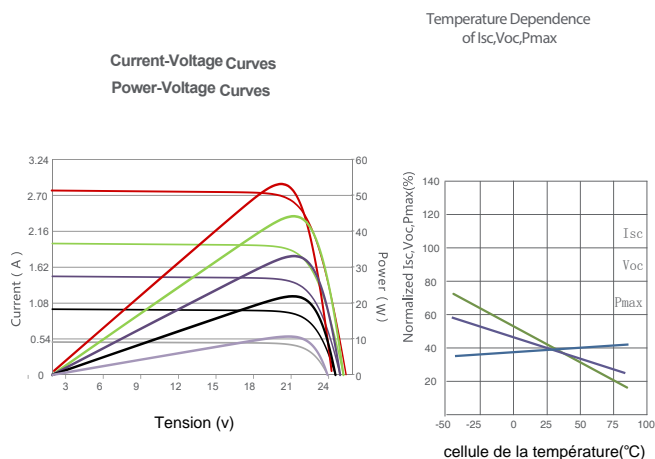
Engineering Drawings



Packaging Configuration

5PCS/CTN
6460pcs/40'HQContainer

Electrical Performance & Temperature Dependence



Mechanical Characteristics

Cell Type	Mono-crystalline 156.75 × 52.00mm
No. of cells	36 (4 × 9)
Dimensions	540 × 670 × 25mm
Weight	4.20kg
Front Glass	3.2mm, Anti-Reflection Coating, High Transmission, Low Iron, Tempered Glass
Frame	Anodized Aluminium Alloy
Junction Box	IP65 Rated
Output Cables	TÜV 1 × 4.0mm ² , Length: 900mm or Customized Length

SPECIFICATIONS

Module Type	NS-36-50M	
	STC	NOCT
Maximum Power (Pmax)	50Wp	36Wp
Maximum Power Voltage (Vmp)	18.0V	16.4V
Maximum Power Current (Imp)	2.78A	2.20A
Open-circuit Voltage (Voc)	22.1V	20.5V
Short-circuit Current (Isc)	2.92A	2.30A
Efficiency STC (%)	16.40%	
Operating Temperature (°C)	-40°C ~ +85°C	
Maximum system voltage	600VDC	
Maximum series fuse rating	10A	
Power tolerance	0 ~ +5W	
Temperature coefficients of Pmax	-0.41%/°C	
Temperature coefficients of Voc	-0.31%/°C	
Temperature coefficients of Isc	0.06%/°C	
Nominal operating cell temperature (NOCT)	45 ± 2°C	

*STC: Irradiance 1000W/m² Cell Temperature 25°C AM=1.5

NOCT: Irradiance 800W/m² Ambient Temperature 20°C AM=1.5 Wind Speed 1m/s